



**Better FTTx,
Better Life.**

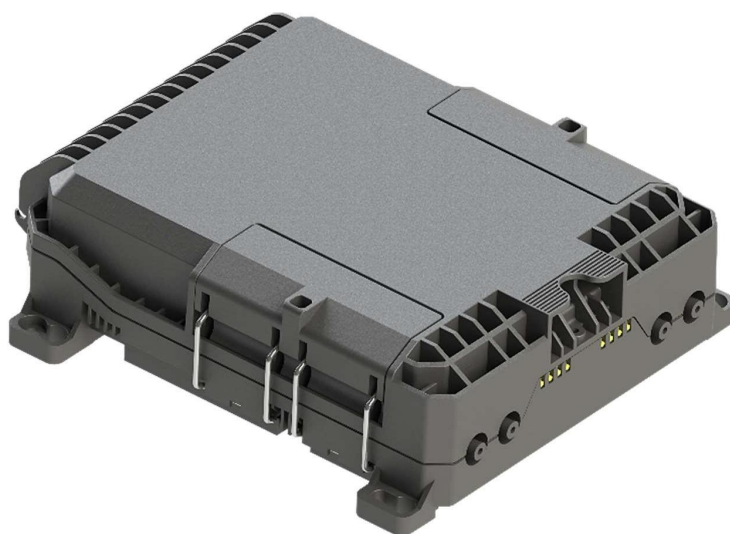
FCST01133 Fiber Access Terminal Closure

M:+86 18720624696

Email:sales@fcst.com

Tel:+86-21-38726791 38726792

Web:www.fcst.com www.micro-duct.com





FCST01133-A



FCST01133-B



FCST01133-C

Product Overview

FCST01133 Fiber Optical Splice Closure is used as a termination point for the feeder cable to connect with drop cable in FTTx communication network system. The fiber splicing, splitting, and distribution can be done in this box, and meanwhile it provides solid protection and management for FTTx network building.

Product Advantages

- Fiber routing is reasonable.
- Suitable for indoor or outdoor ,wall-mounted , pole installation.
- cable sealing terminations use **gel-sealing technology** instead of Plain rubber seal.
- Clamping for feeder cable and drop cable, fiber splicing, fixation, storage, distribution...etc all in one.
- Built-in Stacked splice tray, easy for open, the splice tray can be taken down, easy for installation and maintenance.
- Made of high quality engineer plastic material (PP),Good mechanical strength, Elegant appearance, sturdiness and durability.

Product Specifications

Construction	Description
Capacity	8Fibers
Material	PP
Dimension W*H*D(mm)	FCST01133-A:266*237*75 FCST01133-C:268*237*75.5
Inlets/Outlets	4/8
Installation	Pole-mounting/Wall-mounted

FCST01133 FIBER ACCESS TERMINAL CLOSURE

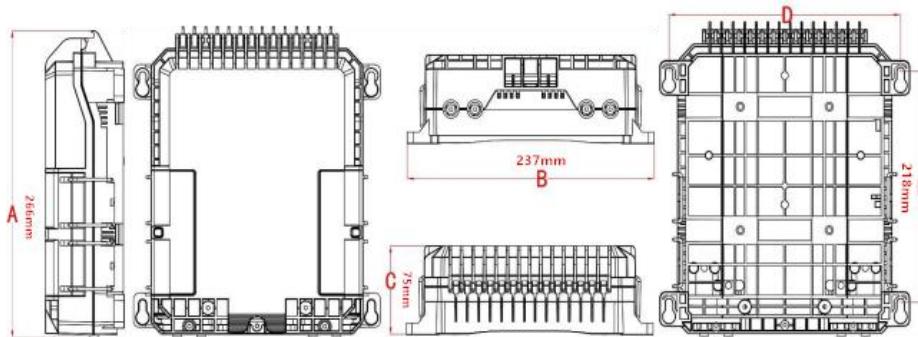
Optional Accessories	Pigtail, Adapter
Protection Level	IP67
Input Cable Method	Cutting
PLC Splitter Available	Yes
Net Weight (g)	1280

PLC Splitter Type

Tube splitter

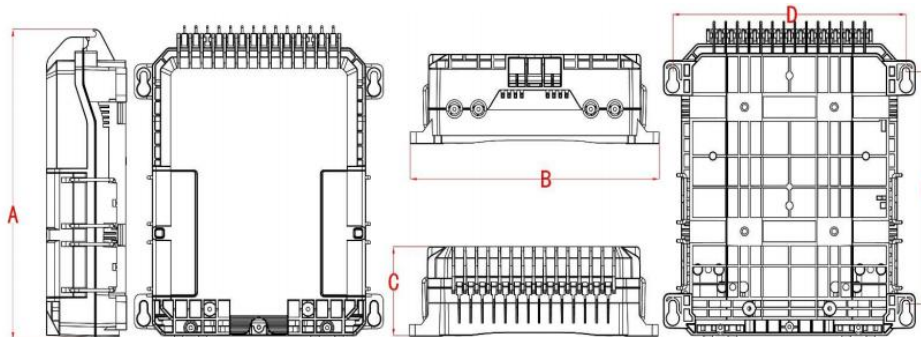
Product Structure

- A: 266mm**
- B: 237mm**
- C: 75mm**
- D: 218mm**
- F: 218mm**



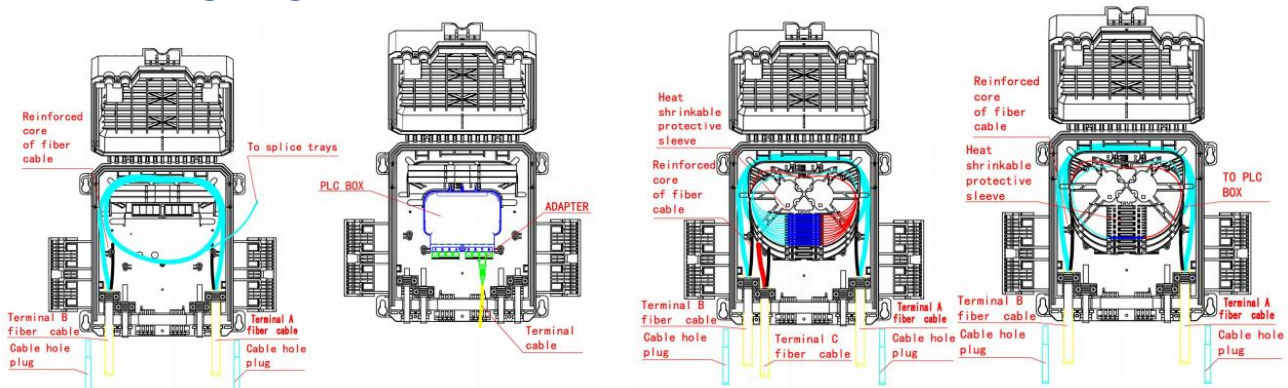
FCST01133-A

- A: 268mm**
- B: 237mm**
- C: 75.5mm**
- D: 220mm**
- F: 197.5mm**



FCST01133-C

Fiber Routing Diagram



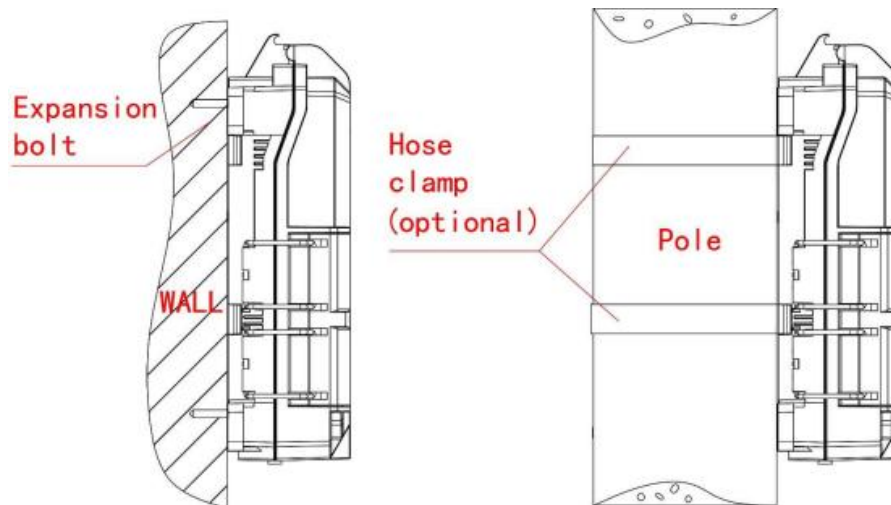
Product Installation

Wall-mounted installation

Drill 4 holes into the wall based on the size in table 1, place the expansion bolt $\Phi 7.5*40$, place the box to match up the holes and use bolt to fasten.

Pole-mounted installation

Fix 1 set of the pole ring to the telecom pole, as below.



Packing Information



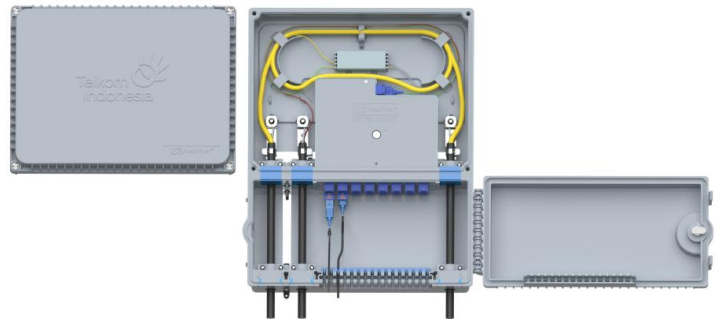
Construction	Description
Outside Dimension(L*W*H)mm	270*248*100
Weight/PC(kgs)	1.51
Carton size(L*W*H)mm	580*520*330
Qty/CTN(pcs)	12
Weight/CTN(kgs)	19.12

Design And Customization Services

- Provide service with whole process from blueprint to product to the customer.
- Meet customer's requirement to customize logo in suitable place for existing product.
- Meet customer's requirement to make reasonable modify and customization for existing product.
- Provide free design according to the requirement of customer after signed cooperative agreement.



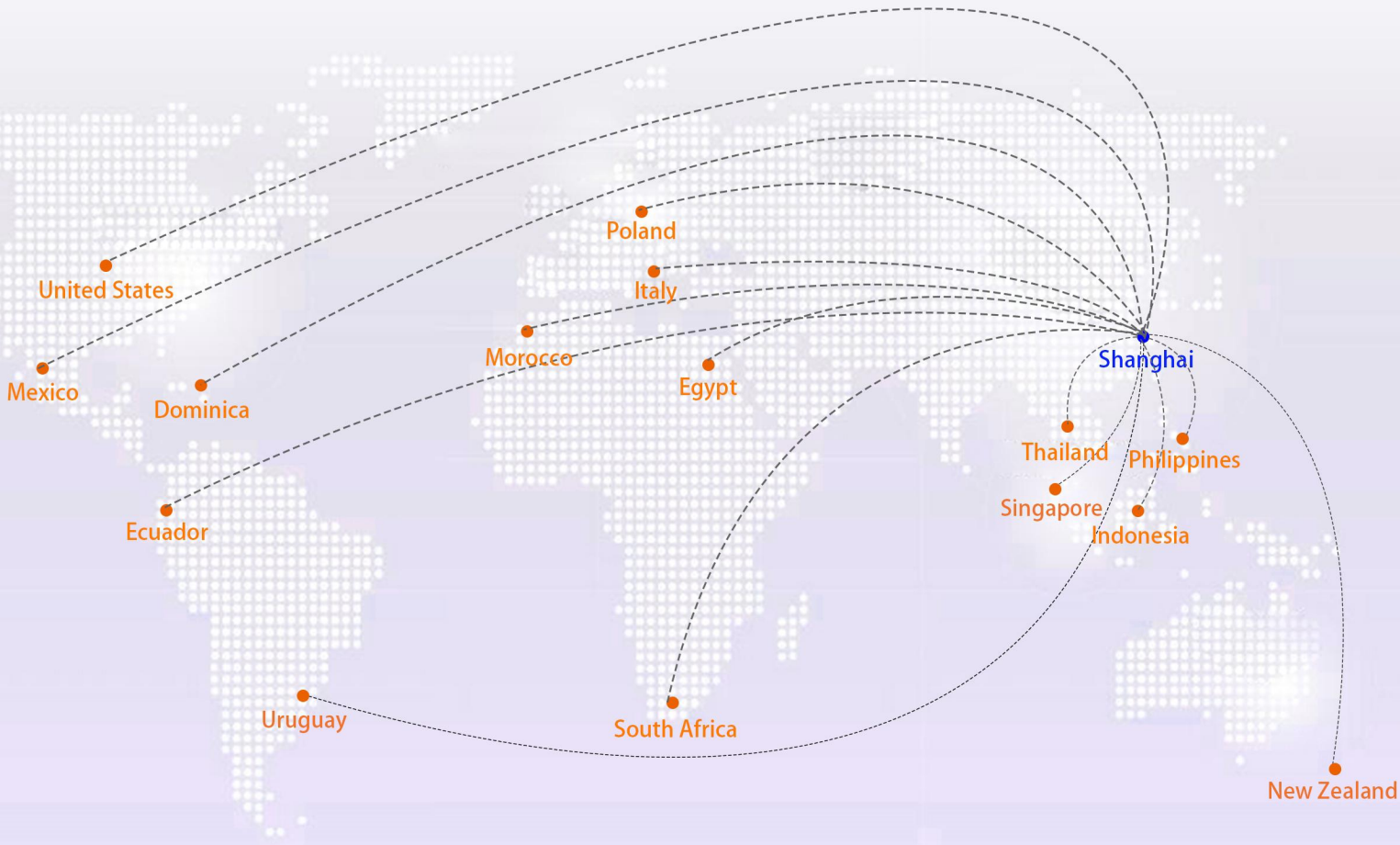
FCST01131



FCST02253



Fiber Cable Solution Technology Co.,Ltd.



Overseas Agency

www.fcst.com www.micro-duct.com



FCST - Better FTTx, Better Life.

We offer 4 solutions

- FTTH ODN Solution
- Underground Cable Installation Solution
- Aerial Cable Installation Solution
- Fiber Tools & Test Solution

As a FTTx solution supplier, we can also do ODM according to project. We will continue to innovate and contribute more to the construction of the global optical fiber network.

Rm402 block A Watts gallop tower No.2816 YiXian Rd, BaoShan District, Shanghai 200441.

Tel:+86-21-38726791 +86-21-38726792 Fax:+86-21-38726793

M:+86 18720624696 Email:sales@fcst.com